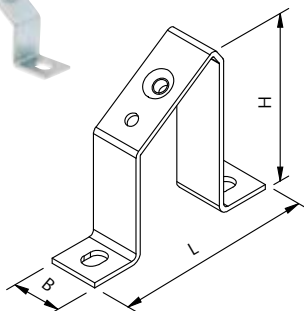


# MF

## Supports for DIN Rails and Bus Bars



Description	Type	Version	Order No. without Clip	Order No. with Clip	Dimension [L × B × H]	PU
-------------	------	---------	---------------------------	------------------------	--------------------------	----

Type A		MF-A49	Type A	36056	36058	80 × 20 × 49 mm	10
		MF-A68	Type A	36064	36066	80 × 20 × 68 mm	10
		MF-A88	Type A	36072	36074	80 × 20 × 88 mm	10
Type B		MF-B20	Type B	36000	36002	80 × 20 × 20 mm	10
		MF-B30	Type B	36008	36010	80 × 20 × 30 mm	10
		MF-B50	Type B	36016	36018	80 × 20 × 50 mm	10
Type C		MF-B90	Type B	36024	36026	80 × 20 × 90 mm	10
		MF-C40	Type C	36032	36034	40 × 18 × 40 mm	10
Type D		MF-C53	Type C	36040	36042	40 × 18 × 53 mm	10
		MF-D49	Type D	36048	36050	120 × 20 × 49 mm	10
		Bus bar 10 × 3 mm	-	36100	-	10 × 3 × 1000 mm*	1

\* Other lengths available on request

### Product Description

There are 4 models of supports for mounting bus bars 10 × 3 mm or 35 mm DIN rails. Various supports are available to provide solutions for different conditions.

A mounting clip is used for fastening the bus bar to the supports. The support has M6 female screw threads to affix the mounting clip of the DIN rail with a M6 screw.

Mounting clip  
Order No. 36150

### Advantages & Benefits

- Wide variety of supports with different sizes and designs
- Simple assembly of TS35 DIN rails and 10 × 3 mm bus bars
- Support type D provides possibility to affix 2 TS335 DIN rails

### Specifications

Material Carbon steel, galvanically zinc-plated

### Accessories

Bus bar Order No. 36100  
Mounting clip Order No. 36150